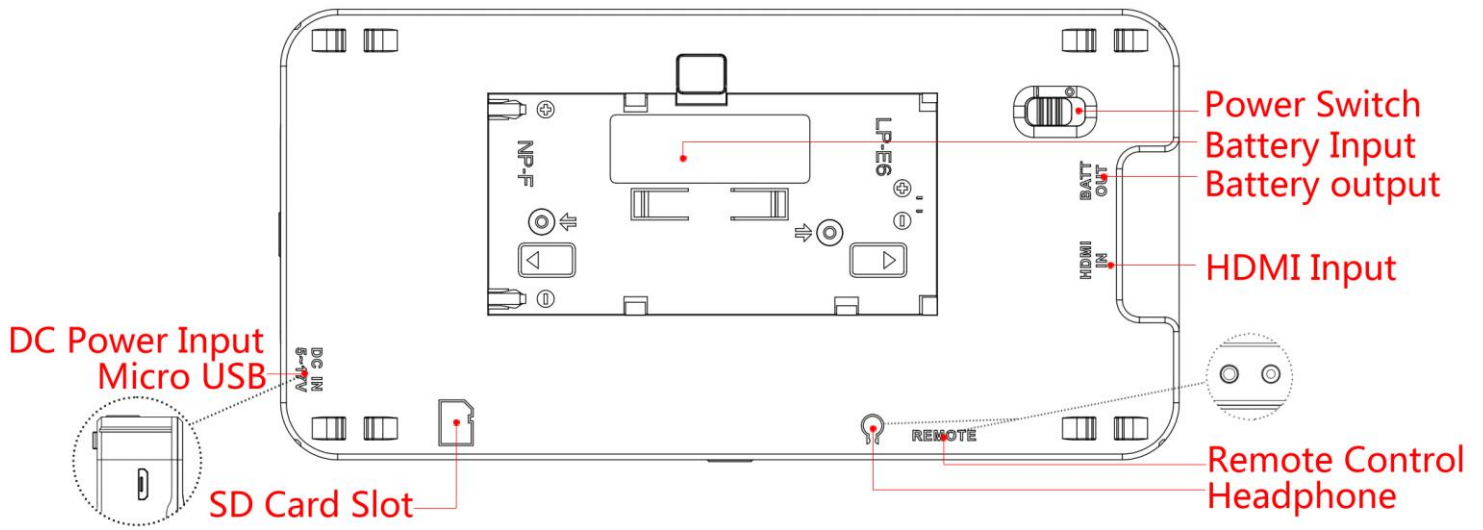


T5 4K ULTRAHD ON CAMERA Monitor

Quick Guide

INTERFACES AND BUTTONS

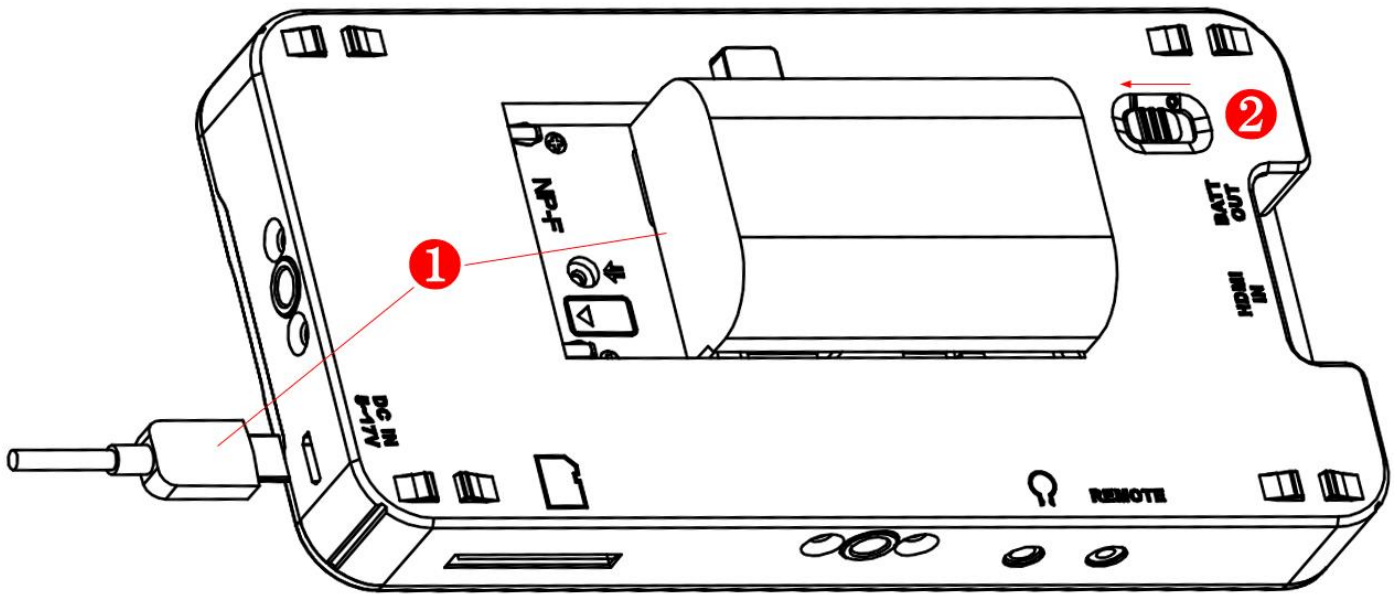


| | |
|---------------|--|
| Power Switch | Switch to “I” position to power on; and switch to “O” position to power off |
| DC IN | DC power input, 5 ~ 17VDC , Micro USB |
| Battery Input | External battery NP-F/LP-E6, 6V ~ 8.4V |
| BATT OUT | Battery output |
| HDMI IN | HDMI input interface, supports HDCP, compatible DVI1.0, HDMI Type-A |
| Remote | Remote control, headphone output, 2.5mm Stereo Jack |
| Ω | Headphone output jack, 3.5mm stereo Jack |
| □ | SD card slot, the SD card is used to load the customized LUT tables, and update the device configuration data of V59 and FPGA. |

* Support SONY NP-F and Canon LP-E6 battery currently.

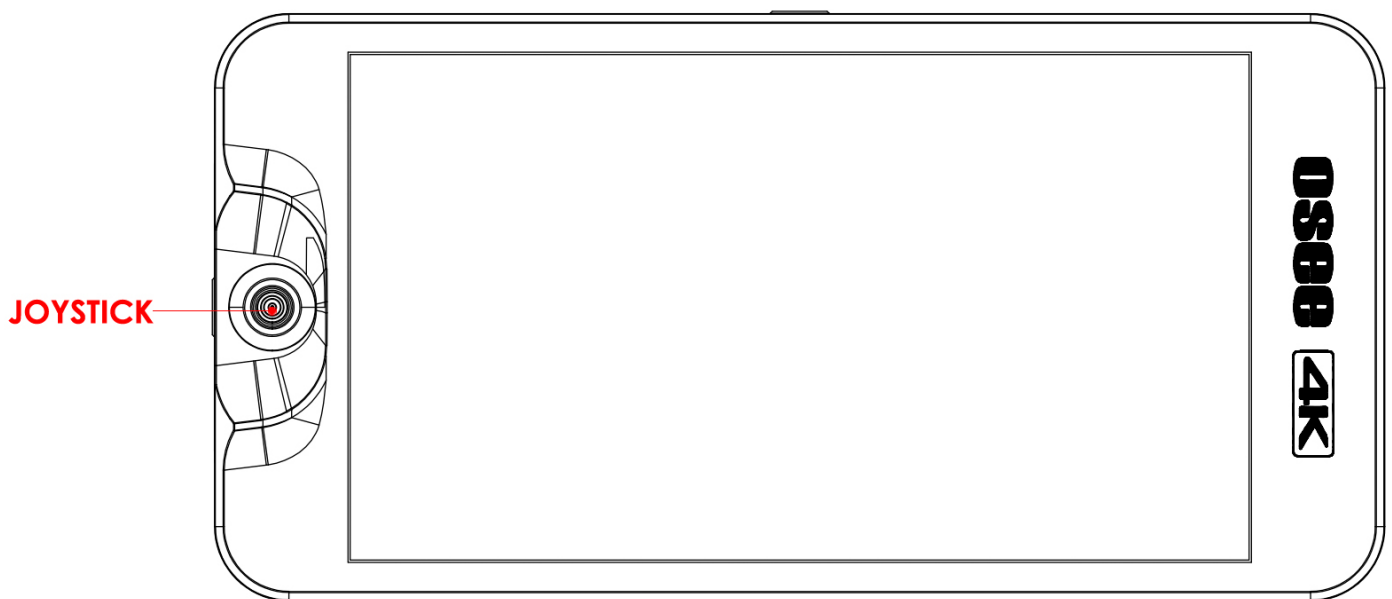
POWER ON

- ❶ Install the battery or connect the power cord.
- ❷ Switch the power switch to “—” position, the device is powered on, and the control buttons on the front panel are lit up in highlight white.



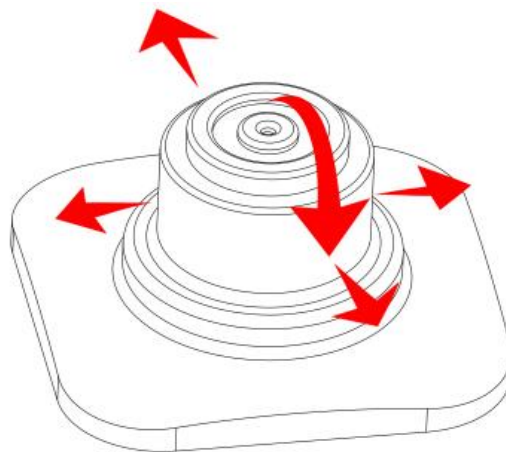
- * It will display the boot screen after power on for 3~4 seconds.
- * The BATT OUT interface could offer a power output when amounting battery in the device.
- * Only use the adapter and the power cord specified by the manufacture for your safety!

BUTTONS OPERATION



■ Joystick

Joystick provides five operation directions, Up Down, Left, Right, and Straight Down. Use the joystick as a navigation tool to scroll between scenes pages and set features.



←: scroll it leftmost to enter into the monitor settings menu

→: scroll it right to enter into a scene or create a scene mode

↑: scroll it up to enter into ZOOM mode

↓: cancel the settings, return to the previous menu or quit menu settings.

↘: scroll it down to confirm the current operation or selection

SCENE MODE


■ Enter a Scene


It will display a scene as default after powered on. Scroll the joystick right or left to switch among scenes.

Scroll the joystick down to return a scene when in ZOOM mode.

Scroll the joystick right to return a scene when in monitor settings menu.

■ Add a Scene

Hold the joystick right for 3 seconds, it will prompt “Add New MySet 

The scene will be numbered in sequence, and the name will be displayed at the left bottom of the screen, e.g., .

■ Delete a Scene

Scroll the joystick down in a scene, it will display the **DELETE** command at the bottom of the screen, press the joystick straight down to confirm deletion.

The **DELETE** command is not available when there is only one scene.

SCENE TOOL

■ Add a Tool in a Scene

In a scene, scroll the joystick down, it will pop up the “**ADD NEW TOOL**” command. Press the joystick straight down to confirm, it will display Tools Menu on the left side of the screen, scroll the joystick up or down to select your desired scene tool, and press the joystick straight down to confirm.

■ Enable/Disable a Tool

In a scene, press straight down the joystick to display the scene tool, and then scroll the joystick left to close the scene tool in current scene.

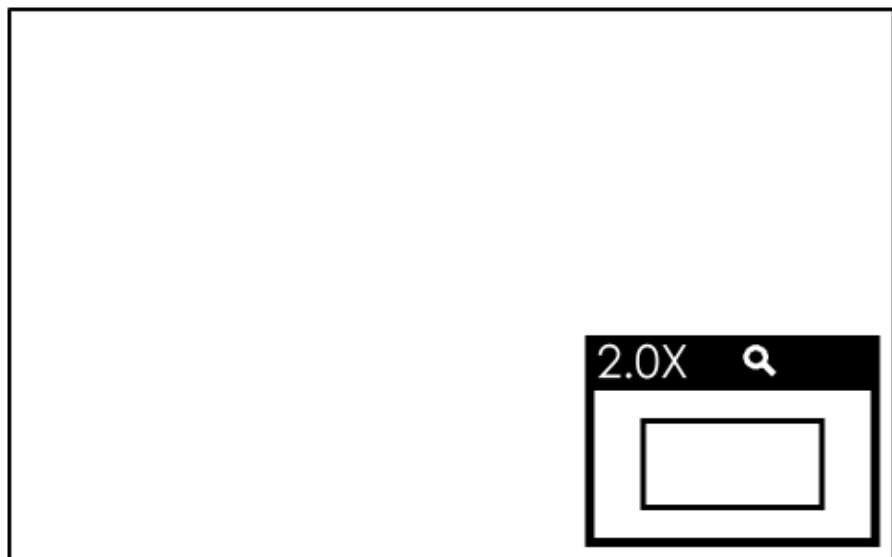
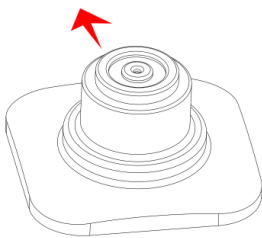
IMAGE ZOOM

Scroll up the joystick to enter into image zoom mode, double(2X) or quadruple(4X) the image, and move the starting position of the enlarged image.

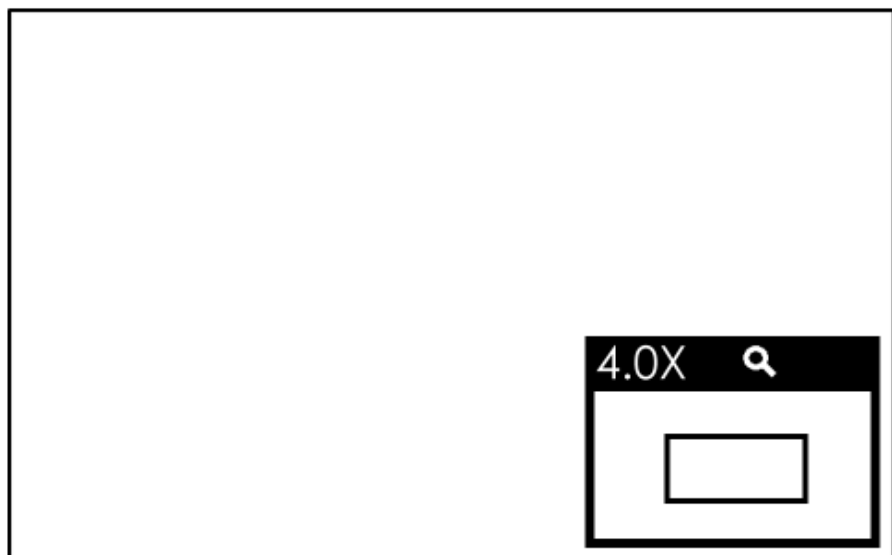
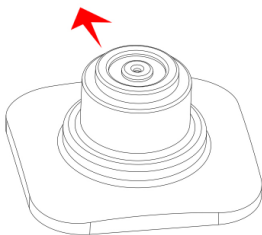
① Enter ZOOM Mode

In a scene, scroll up the joystick to enter into image zoom 2X mode, and there will be a 2X zoom icon at the right bottom corner of the screen, continue to scroll up the joystick to enter into image zoom 4X mode.

Scroll Up Once

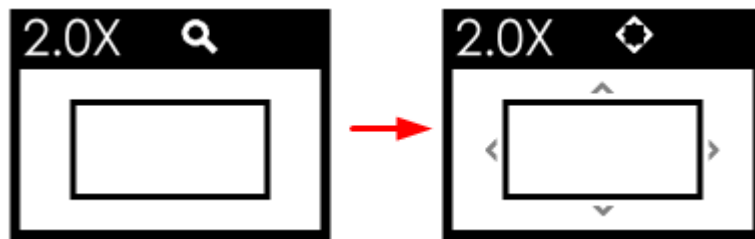


Scroll Up Twice



② Adjusting Mode

Press straight down the joystick to move the starting position of the enlarged image.



Then, the icon is changed, there will be four arrows at each direction surrounding the center rectangle.

Press straight down the joystick to confirm the adjustment.

* In 2X or 4X zoom mode, press straight down the joystick, it will recover and display the original image.

Rotate Screen

Hold the joystick left for 3 seconds to enter the **monitor settings** menu;

Scroll down to select **controls**→**DISPLAY ROTATE** item, and press straight down the joystick to display the **DISPLAY ROTATE** submenu. Scroll right or left to set the **SCREEN ROTATE** item to be 180, then the input image will reverse vertically. Set the **IMAGE ROTATE** as the same way.

Restore the Factory Settings

Select **monitor settings** menu, and select **system**→**FACTORY RESET** item, then scroll right to select **EXECUTE FACTORY RESET** command, and press the joystick straight down to confirm the selection to initialize the settings to default values.

OSEE